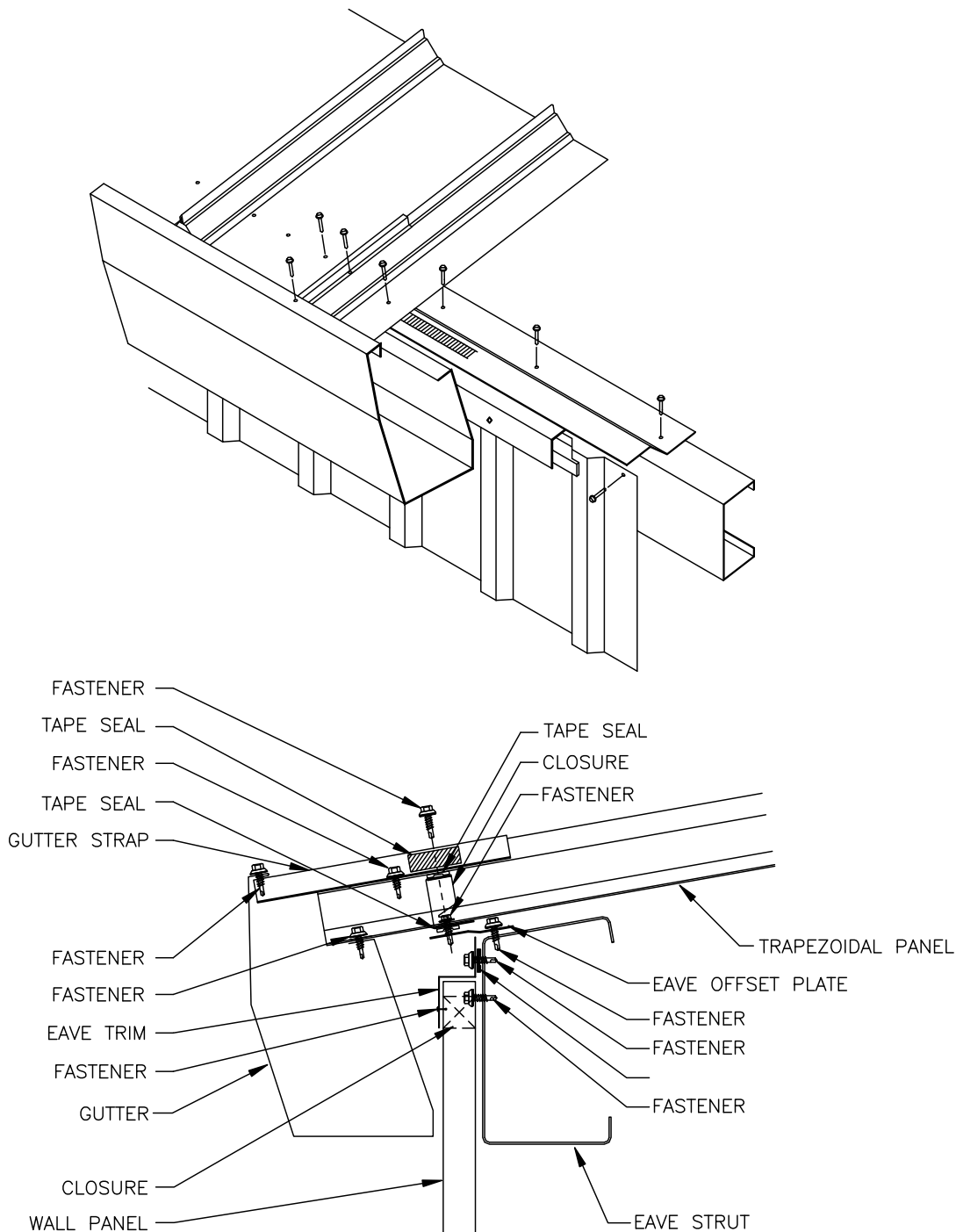




METAL BUILDING SYSTEMS MANUAL

DETAIL: TRAPEZOIDAL LOW EAVE WITH FIXED POST HUNG GUTTER

1-1



These are generic details, representative of general industry practices, but individual manufacturer's details may vary. See Foreword for license and disclaimer of warranties.

©Metal Building Manufacturers Association, Inc. All rights reserved.

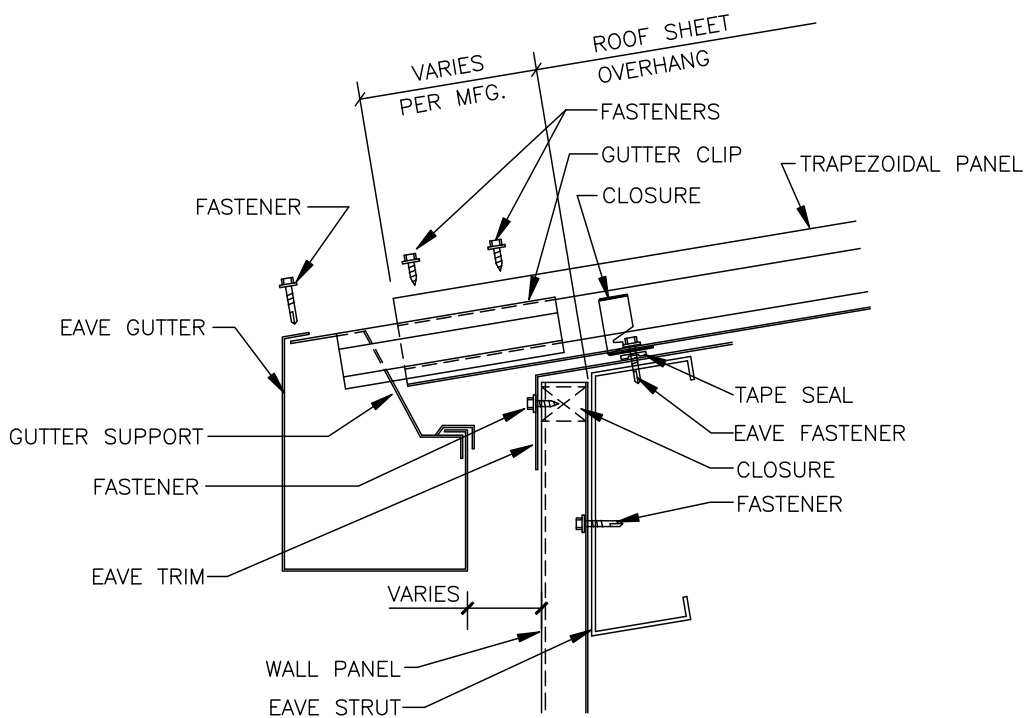
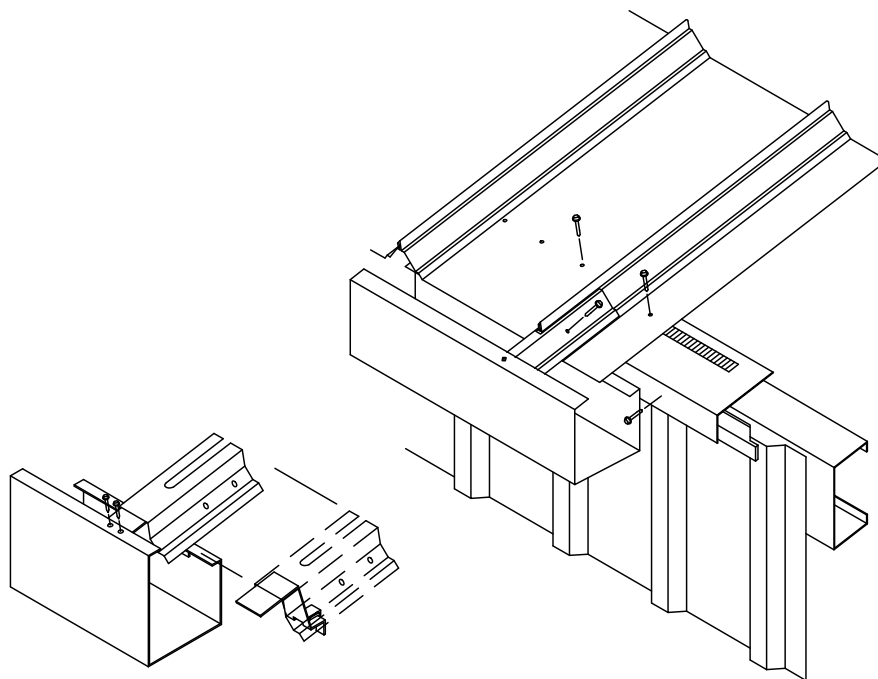
Dec., 2018



METAL BUILDING SYSTEMS MANUAL

DETAIL: TRAPEZOIDAL LOW EAVE WITH FIXED POST HUNG GUTTER

1-2



These are generic details, representative of general industry practices, but individual manufacturer's details may vary. See Foreword for license and disclaimer of warranties.

©Metal Building Manufacturers Association, Inc. All rights reserved.

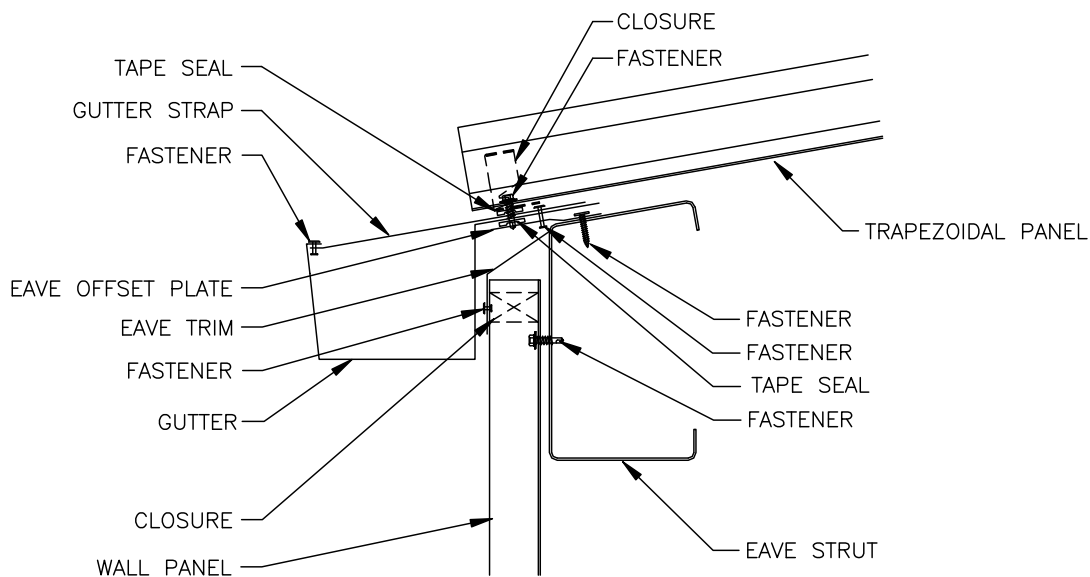
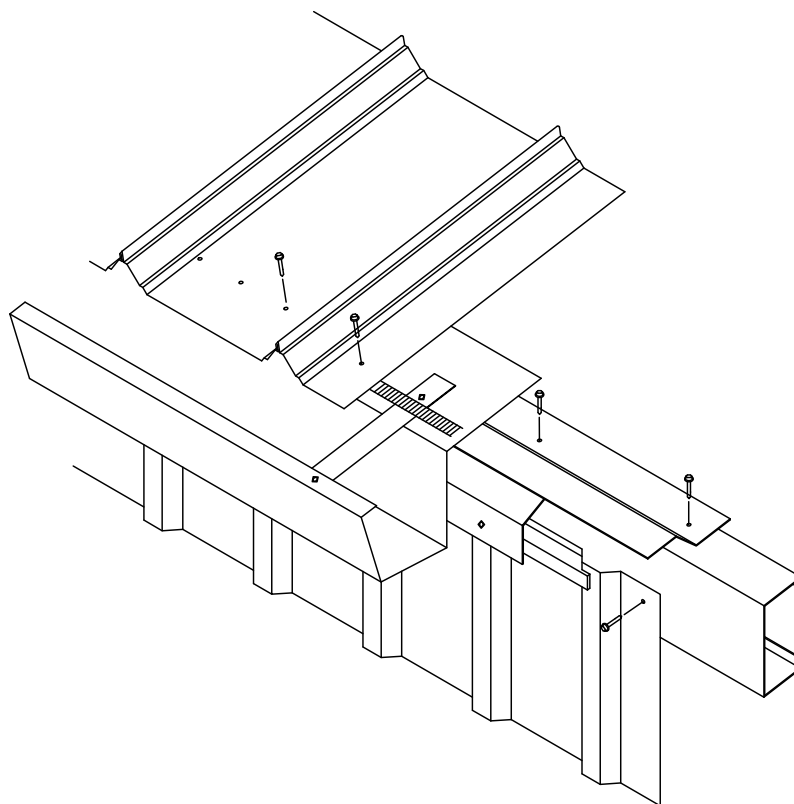
Dec., 2018



METAL BUILDING SYSTEMS MANUAL

DETAIL: TRAPEZOIDAL LOW EAVE WITH POST HUNG GUTTER

1-3



These are generic details, representative of general industry practices, but individual manufacturer's details may vary. See Foreword for license and disclaimer of warranties.

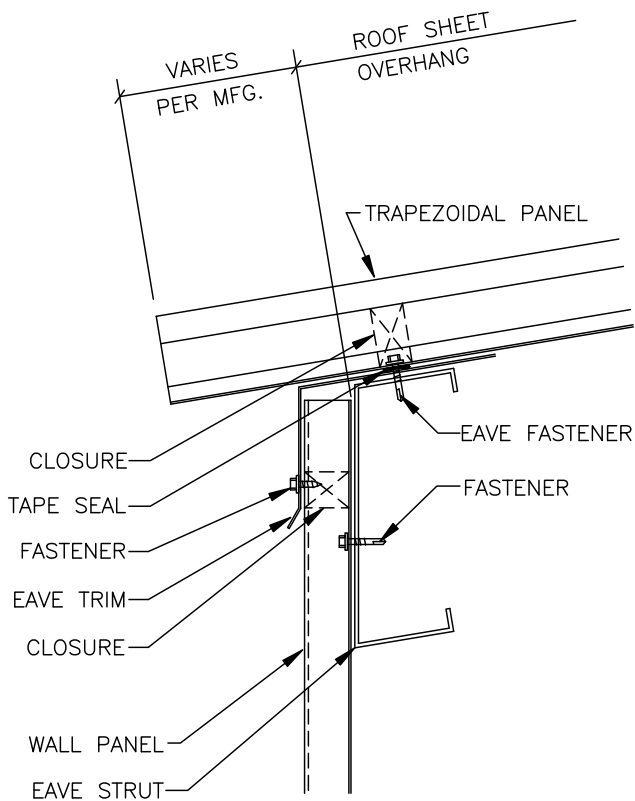
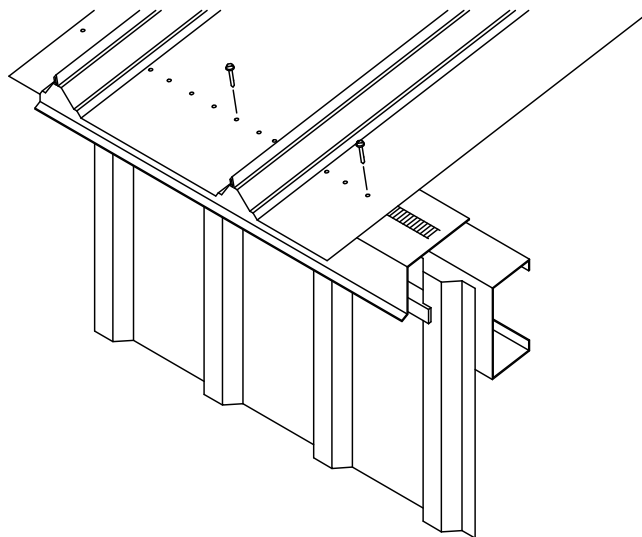
©Metal Building Manufacturers Association, Inc. All rights reserved.

Dec., 2018



METAL BUILDING SYSTEMS MANUAL

DETAIL: TRAPEZOIDAL FIXED NON-VENTED LOW EAVE



These are generic details, representative of general industry practices, but individual manufacturer's details may vary. See Foreword for license and disclaimer of warranties.

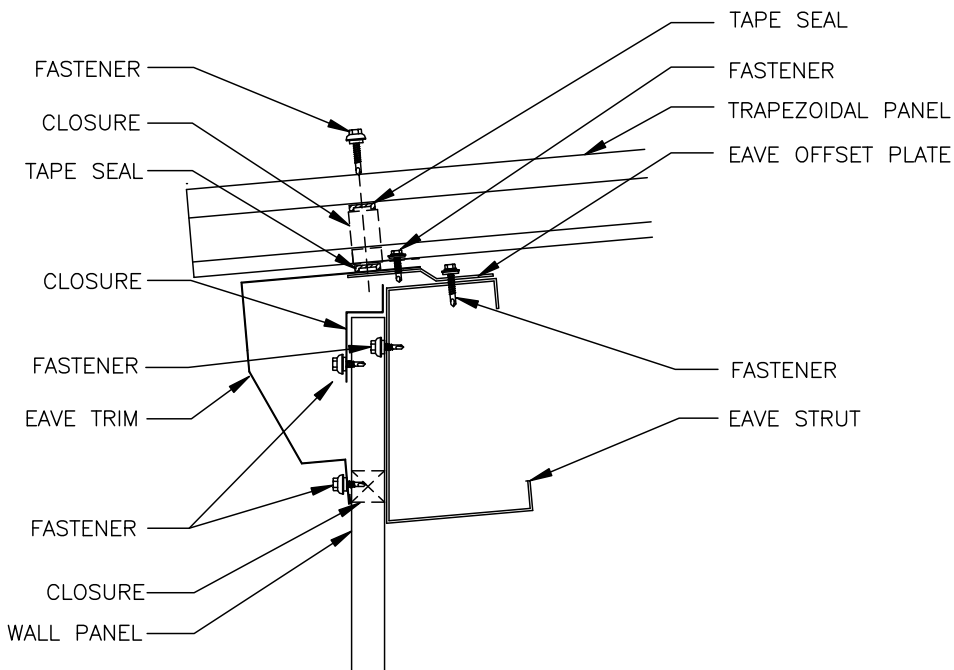
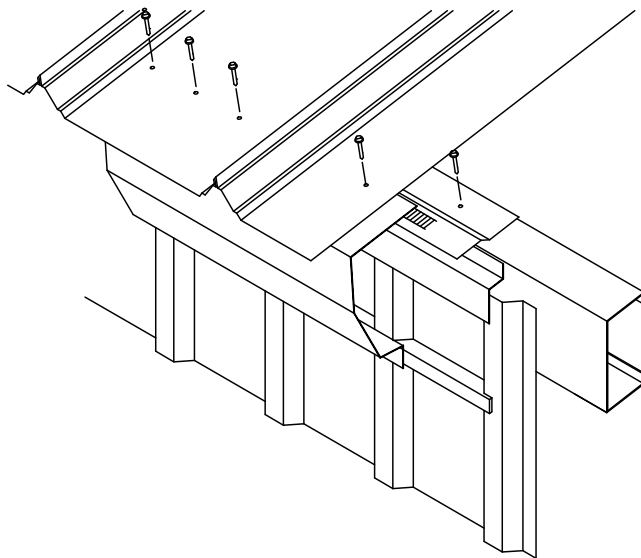
©Metal Building Manufacturers Association, Inc. All rights reserved.

Dec., 2018



METAL BUILDING SYSTEMS MANUAL

DETAIL: TRAPEZOIDAL FIXED NON-VENTED LOW EAVE



These are generic details, representative of general industry practices, but individual manufacturer's details may vary. See Foreword for license and disclaimer of warranties.

©Metal Building Manufacturers Association, Inc. All rights reserved.

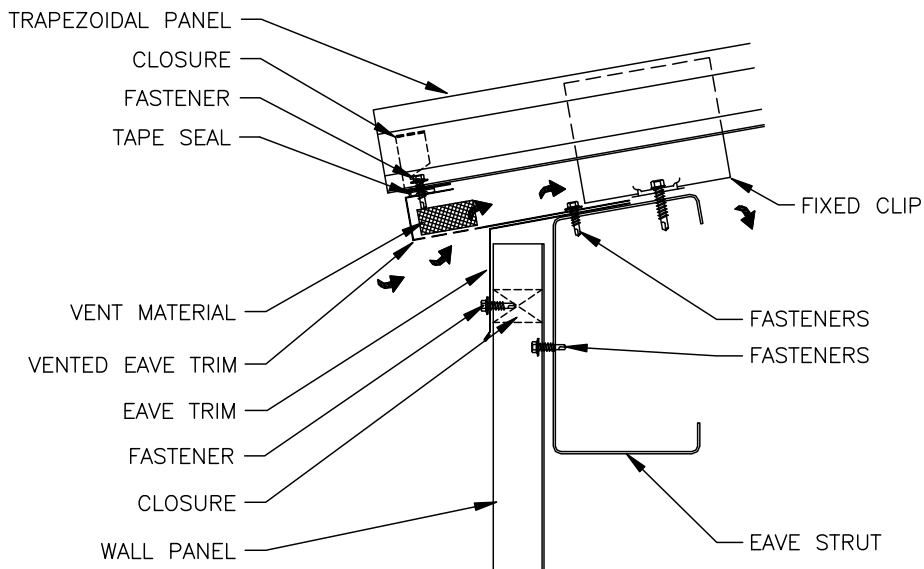
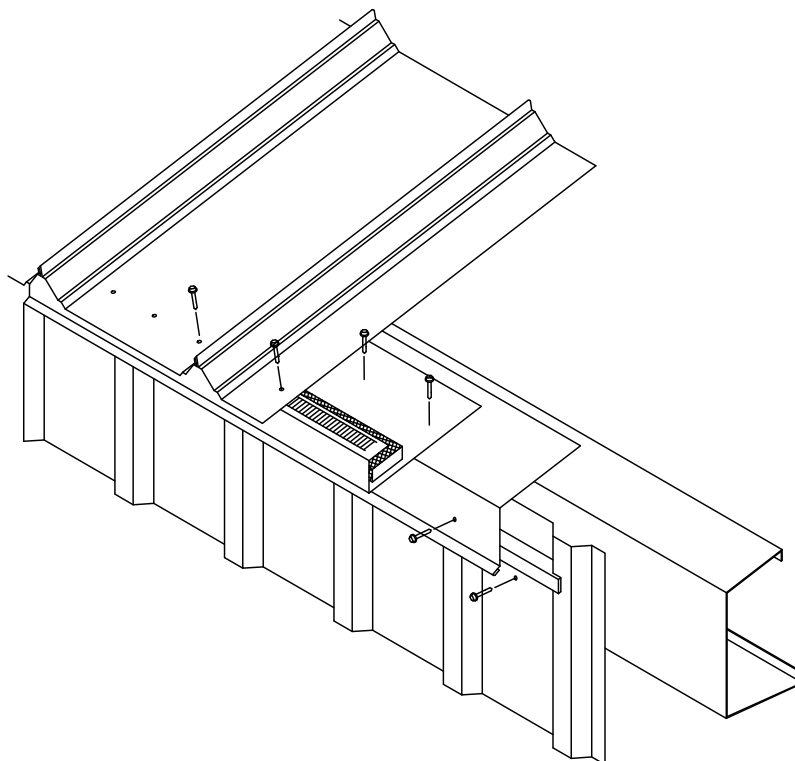
Dec., 2018



METAL BUILDING SYSTEMS MANUAL

DETAIL: TRAPEZOIDAL FIXED VENTED LOW EAVE

1-6



These are generic details, representative of general industry practices, but individual manufacturer's details may vary. See Foreword for license and disclaimer of warranties.

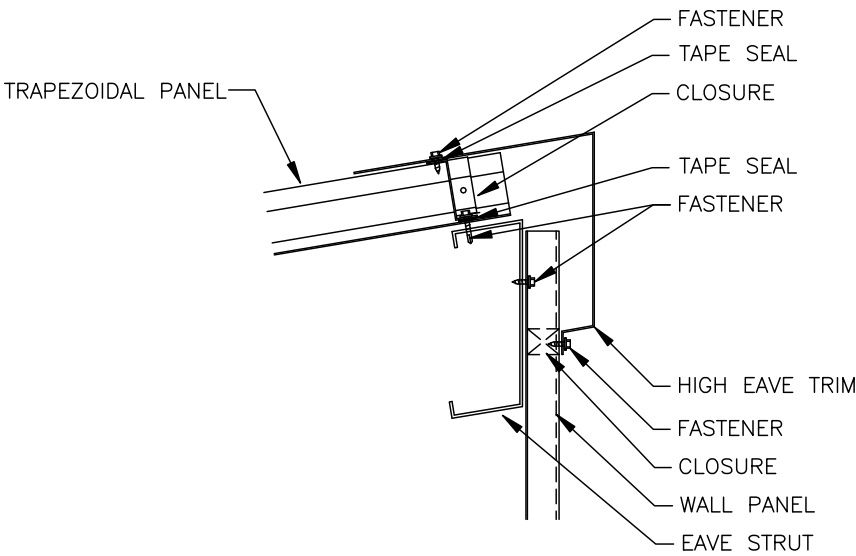
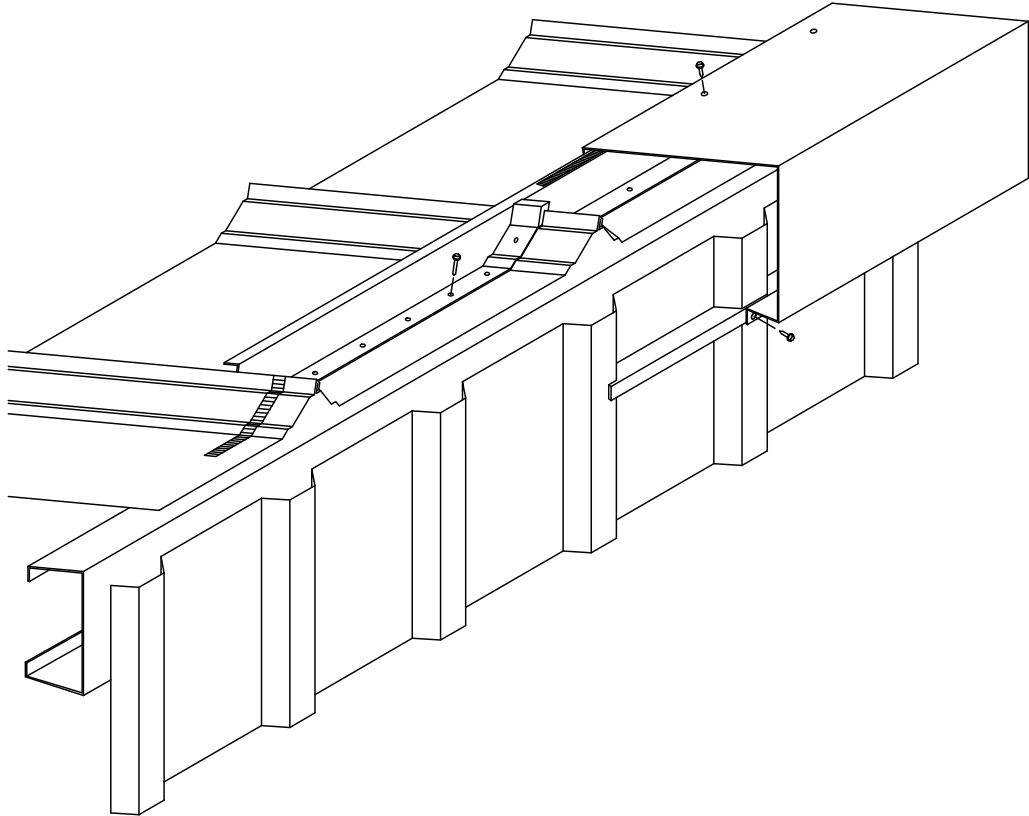
©Metal Building Manufacturers Association, Inc. All rights reserved.

Dec., 2018



METAL BUILDING SYSTEMS MANUAL

DETAIL: TRAPEZOIDAL FIXED HIGH EAVE



These are generic details, representative of general industry practices, but individual manufacturer's details may vary. See Foreword for license and disclaimer of warranties.

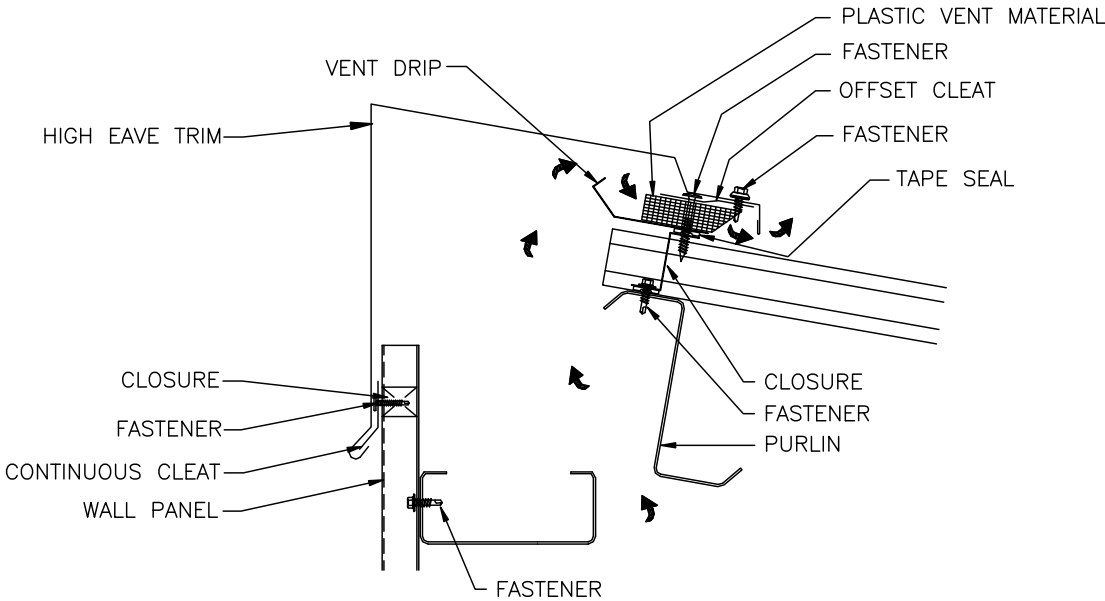
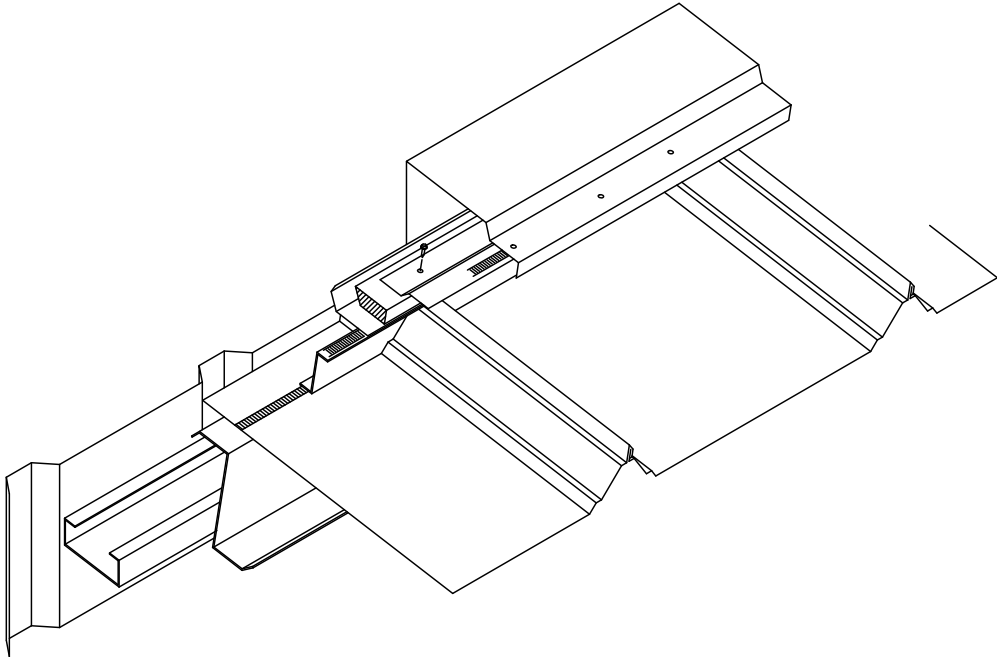
©Metal Building Manufacturers Association, Inc. All rights reserved.

Dec., 2018



METAL BUILDING SYSTEMS MANUAL

DETAIL: TRAPEZOIDAL FIXED VENTED HIGH EAVE



These are generic details, representative of general industry practices, but individual manufacturer's details may vary. See Foreword for license and disclaimer of warranties.

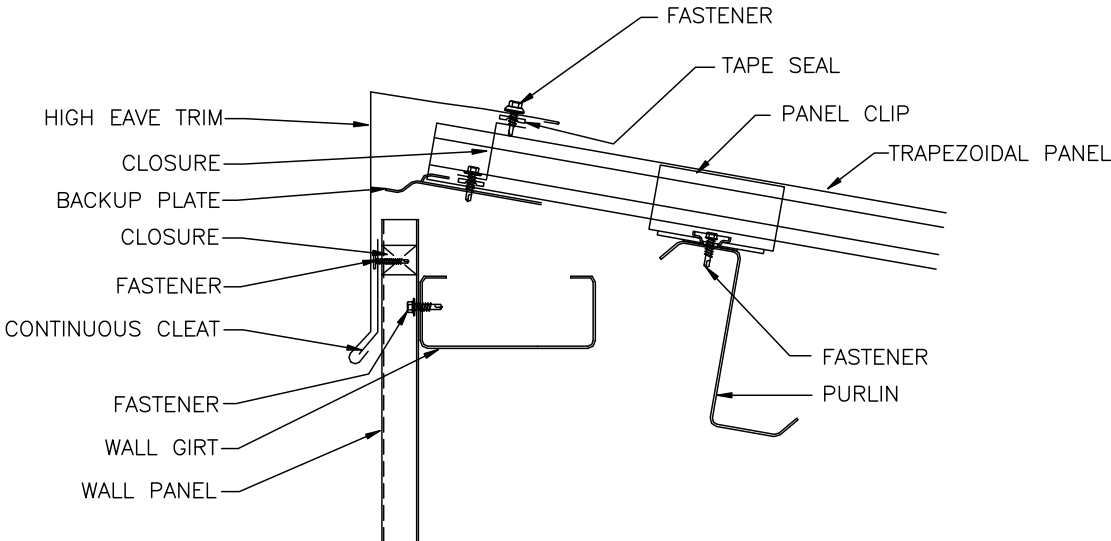
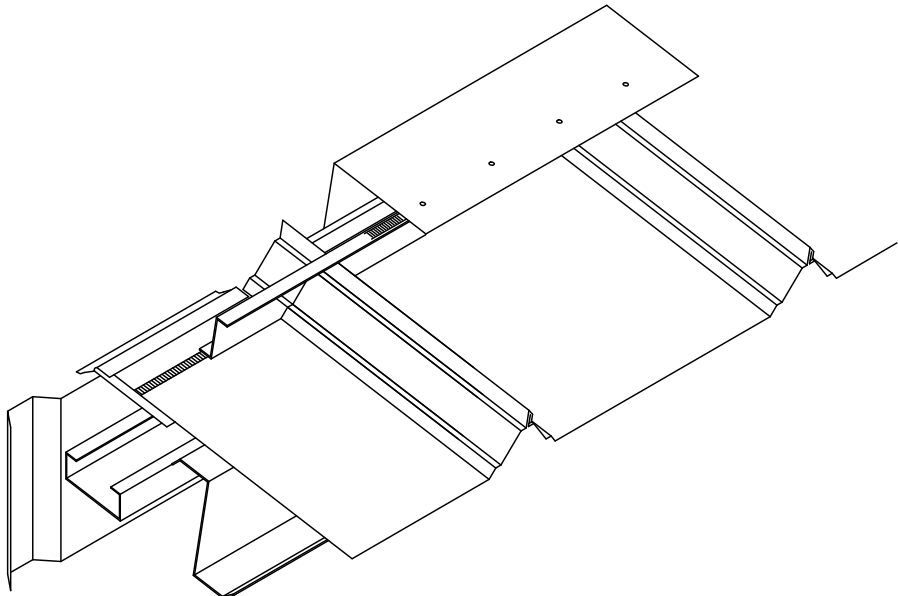
©Metal Building Manufacturers Association, Inc. All rights reserved.

Dec., 2018



METAL BUILDING SYSTEMS MANUAL

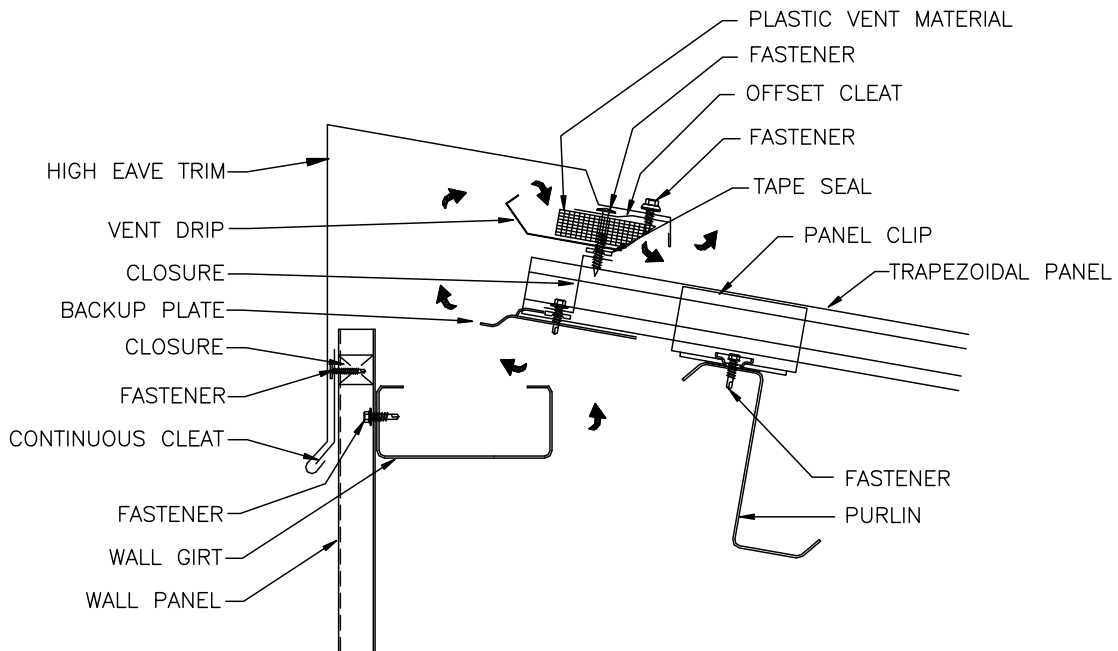
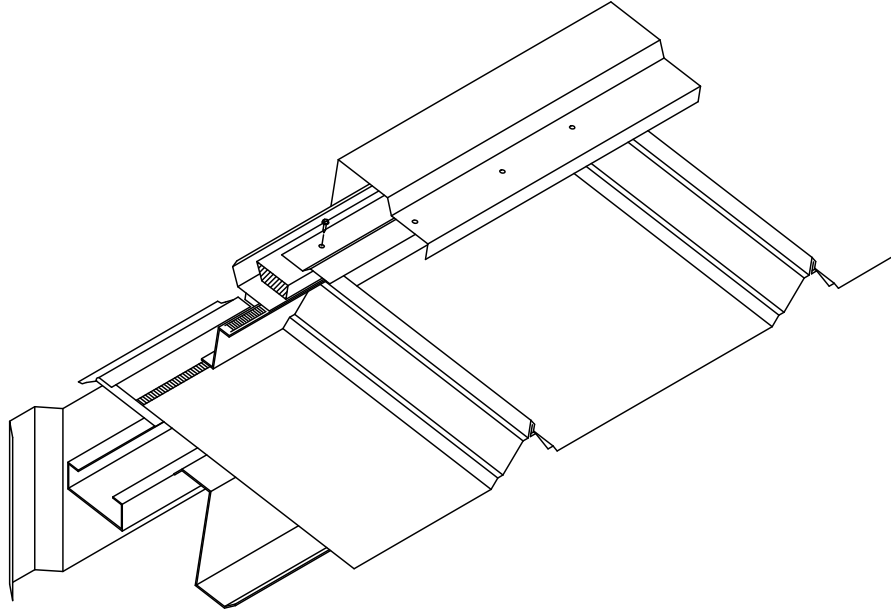
DETAIL: TRAPEZOIDAL FLOATING HIGH EAVE



These are generic details, representative of general industry practices, but individual manufacturer's details may vary. See Foreword for license and disclaimer of warranties.

©Metal Building Manufacturers Association, Inc. All rights reserved.

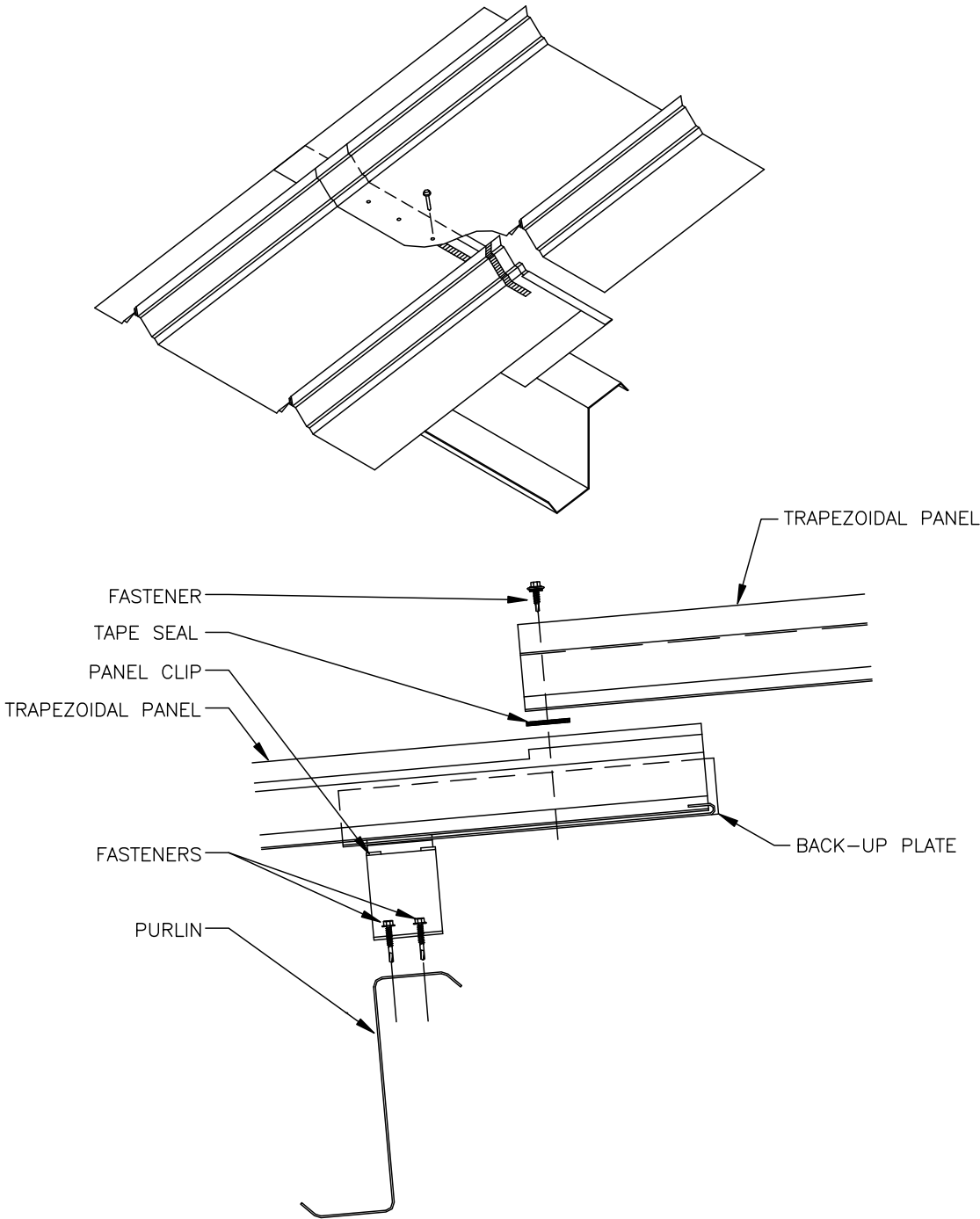
Dec., 2018



These are generic details, representative of general industry practices, but individual manufacturer's details may vary. See Foreword for license and disclaimer of warranties.

©Metal Building Manufacturers Association, Inc. All rights reserved.

Dec., 2018



These are generic details, representative of general industry practices, but individual manufacturer's details may vary. See Foreword for license and disclaimer of warranties.

©Metal Building Manufacturers Association, Inc. All rights reserved.

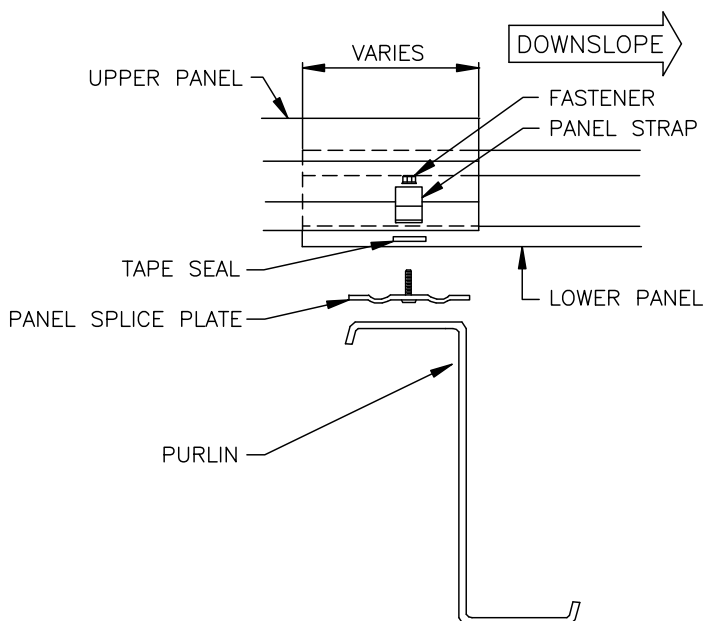
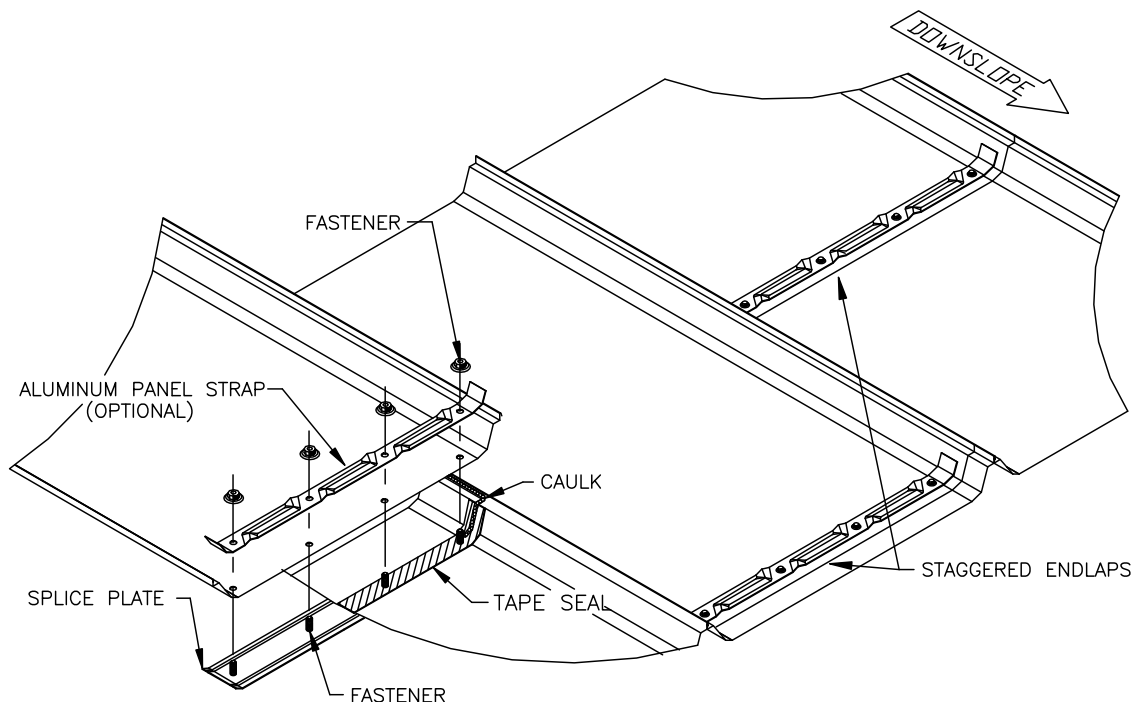
Dec., 2018



METAL BUILDING SYSTEMS MANUAL

DETAIL: TRAPEZOIDAL PANEL LAP WITH STAGGERED ENDLAPS

1-12



These are generic details, representative of general industry practices, but individual manufacturer's details may vary. See Foreword for license and disclaimer of warranties.

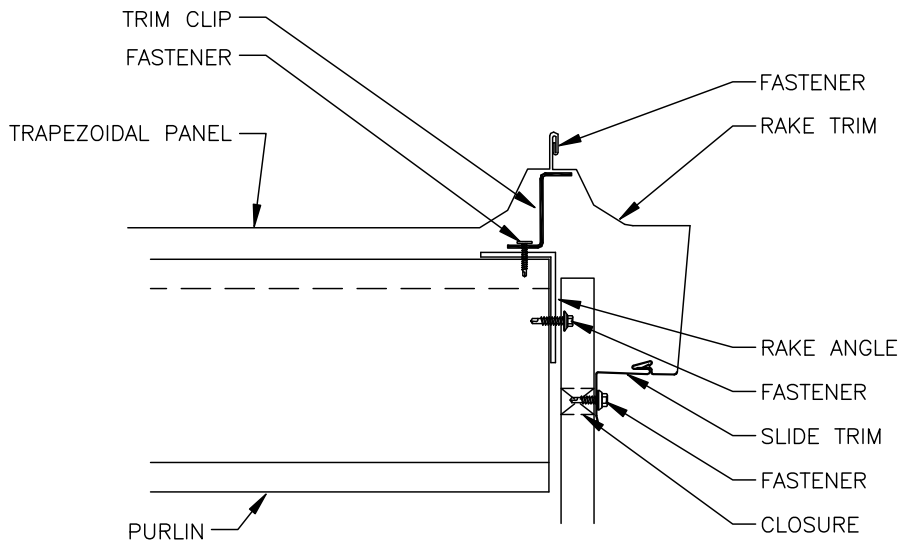
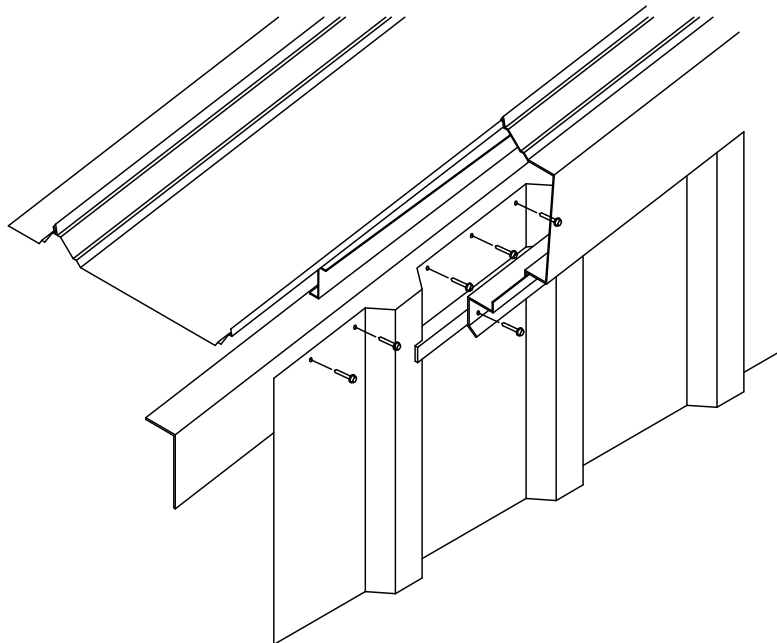
©Metal Building Manufacturers Association, Inc. All rights reserved.

Dec., 2018



METAL BUILDING SYSTEMS MANUAL

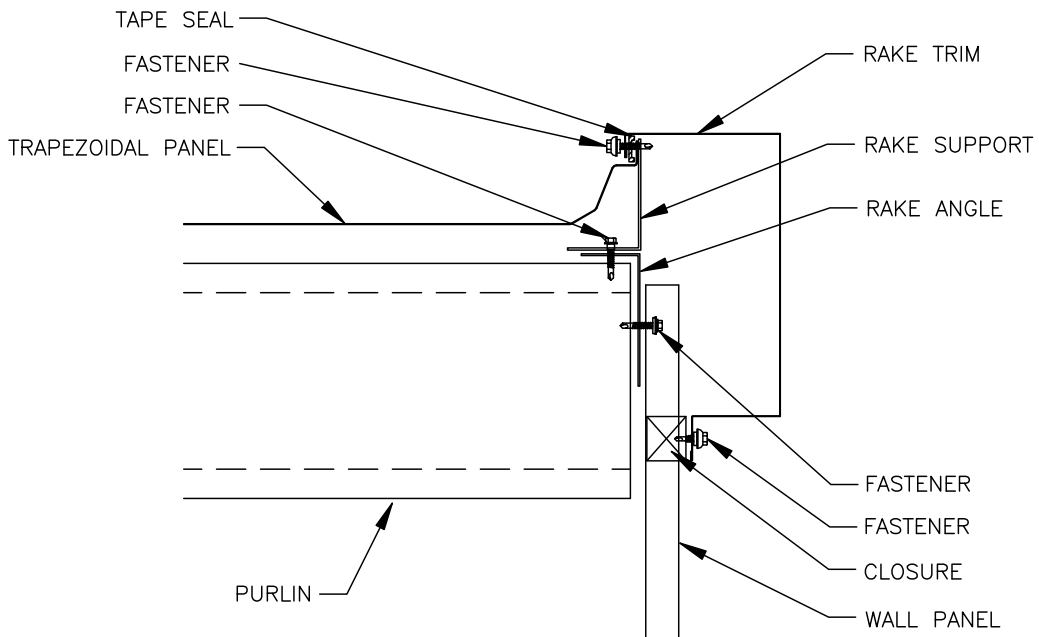
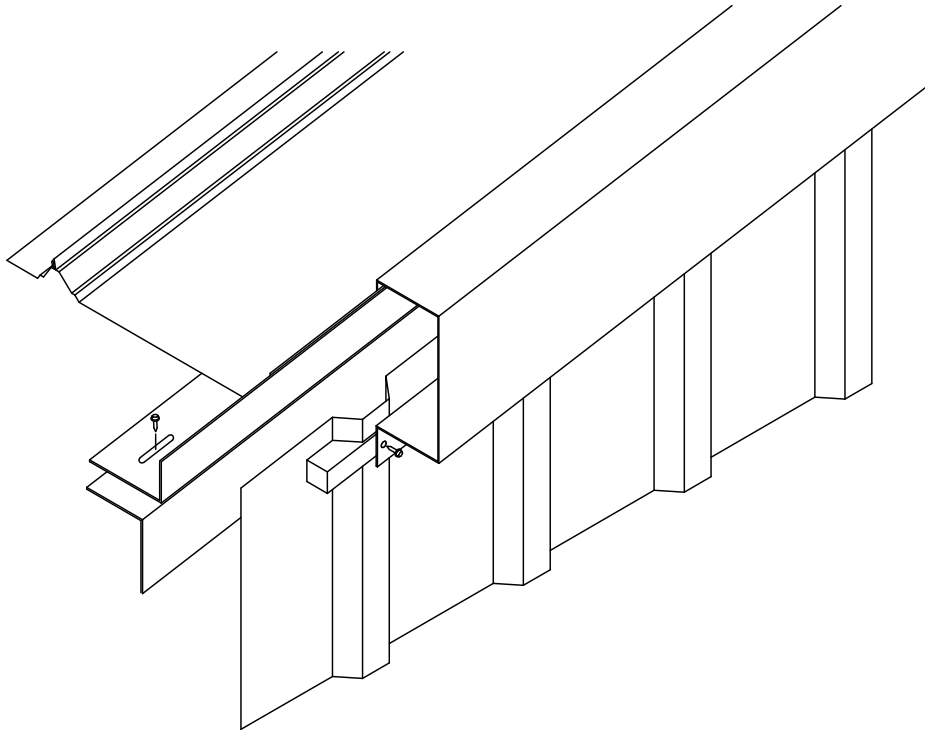
DETAIL: TRAPEZOIDAL FLOATING RAKE



These are generic details, representative of general industry practices, but individual manufacturer's details may vary. See Foreword for license and disclaimer of warranties.

©Metal Building Manufacturers Association, Inc. All rights reserved.

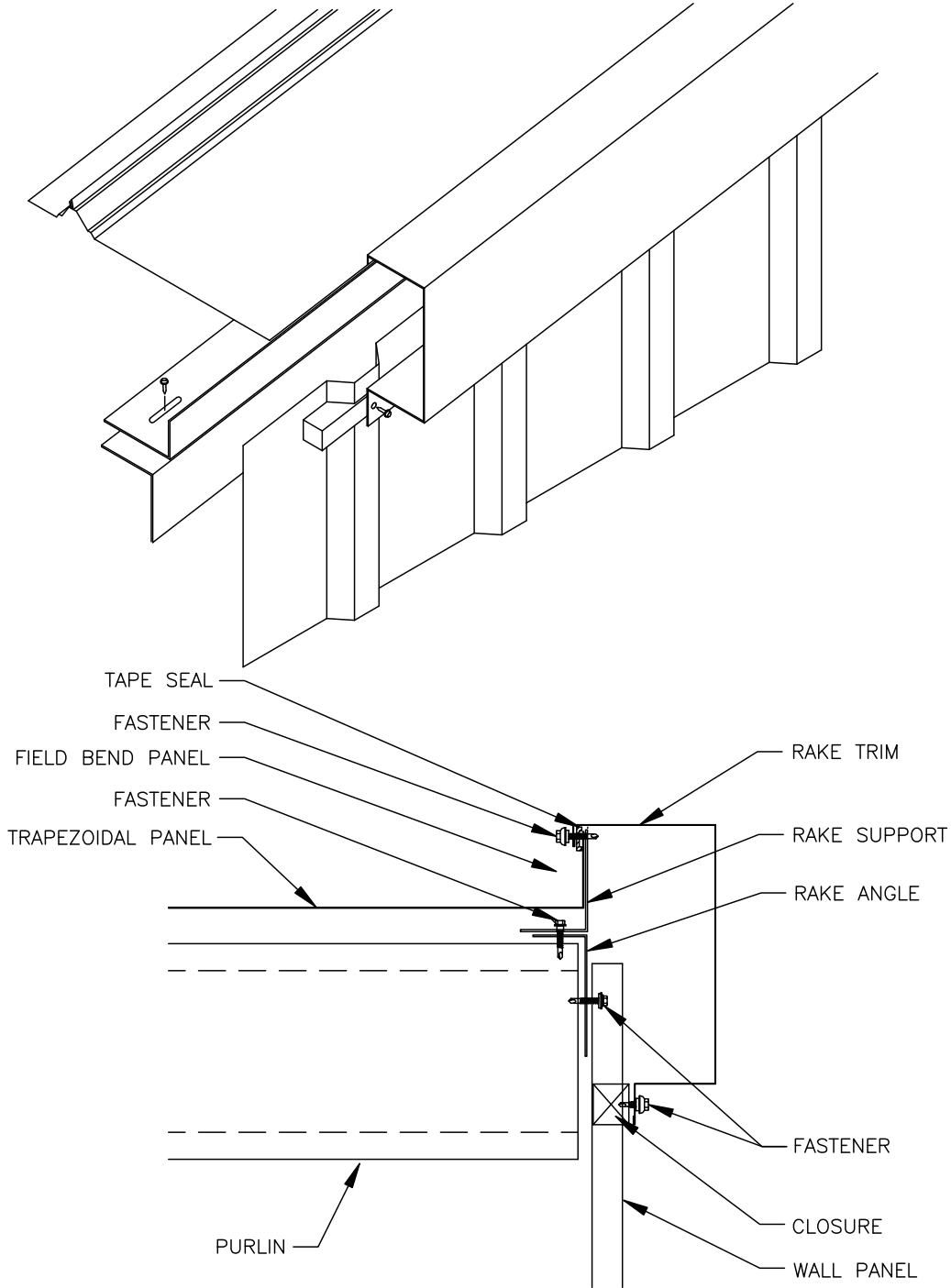
Dec., 2018



These are generic details, representative of general industry practices, but individual manufacturer's details may vary. See Foreword for license and disclaimer of warranties.

©Metal Building Manufacturers Association, Inc. All rights reserved.

Dec., 2018



These are generic details, representative of general industry practices, but individual manufacturer's details may vary. See Foreword for license and disclaimer of warranties.

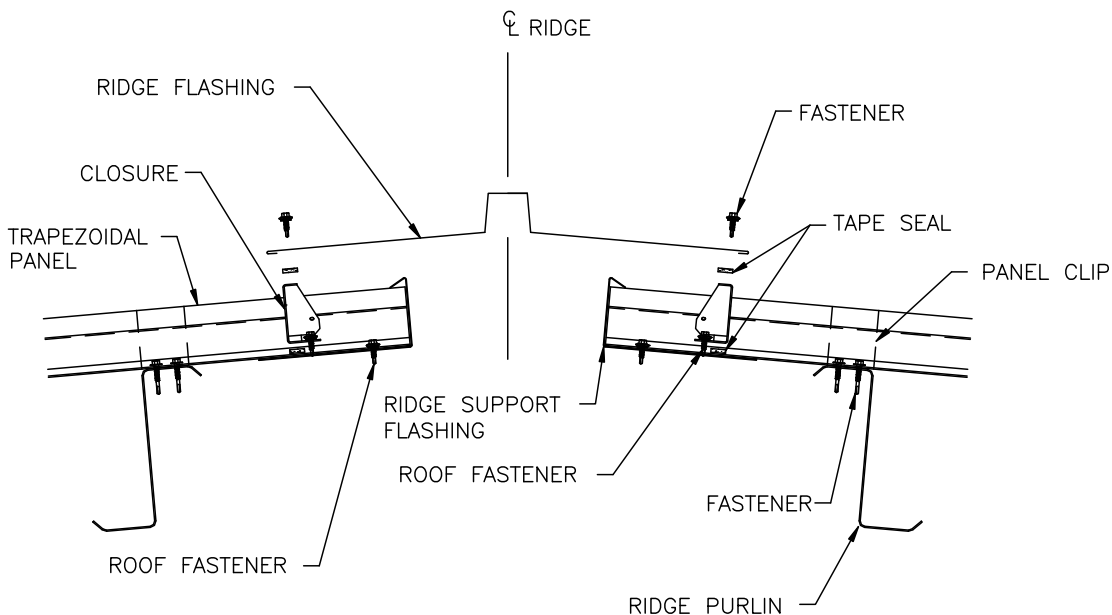
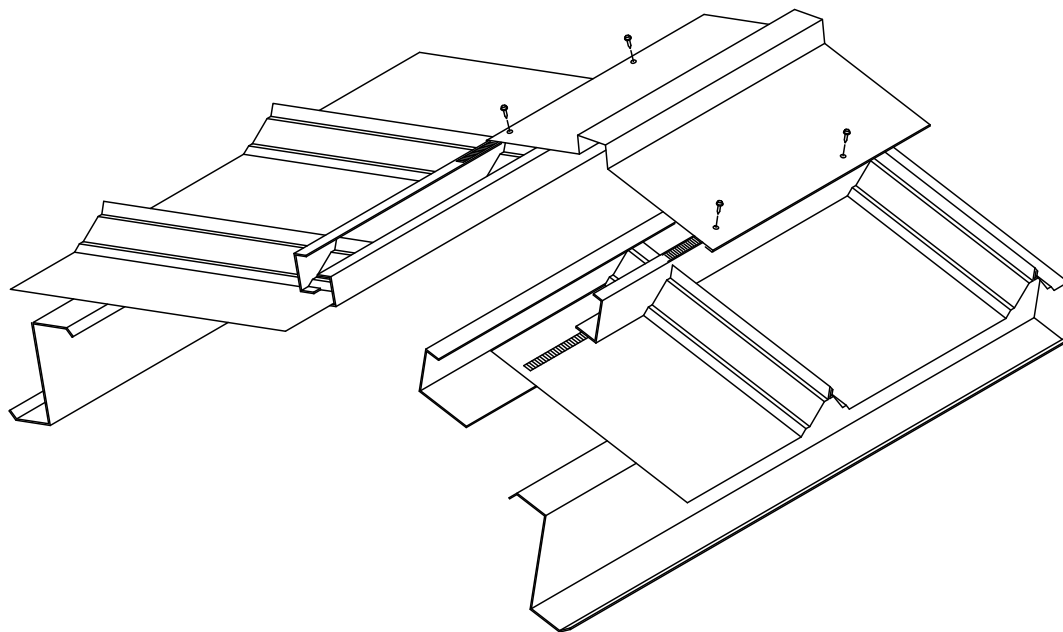
©Metal Building Manufacturers Association, Inc. All rights reserved.

Dec., 2018



METAL BUILDING SYSTEMS MANUAL

DETAIL: TRAPEZOIDAL NON-VENTED FLOATING RIDGE



These are generic details, representative of general industry practices, but individual manufacturer's details may vary. See Foreword for license and disclaimer of warranties.

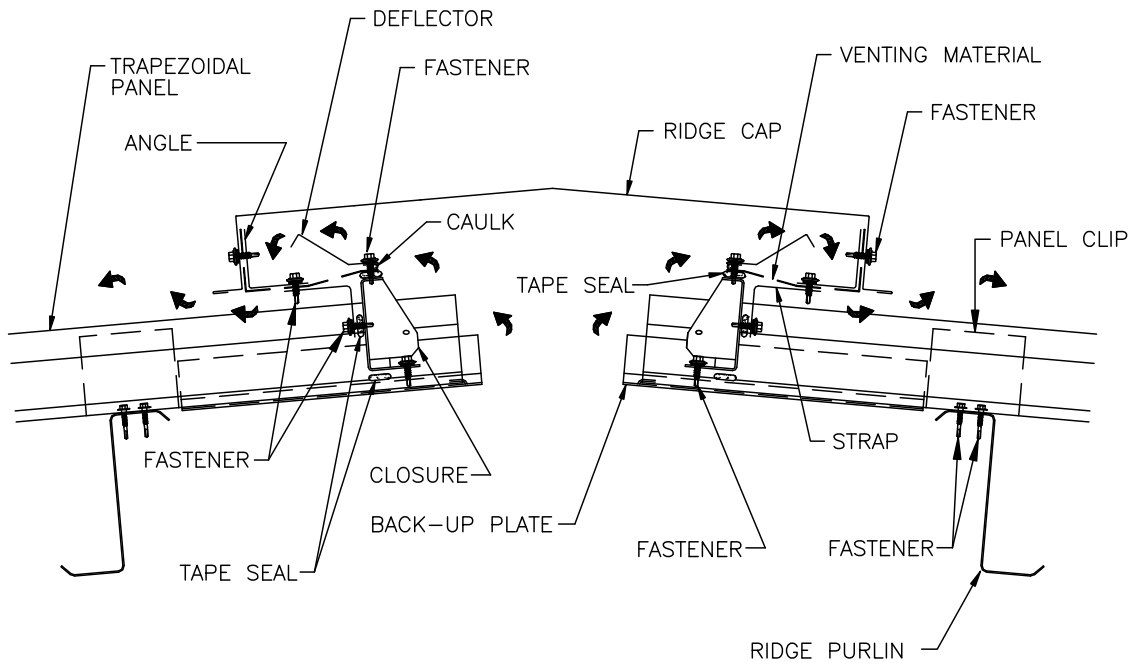
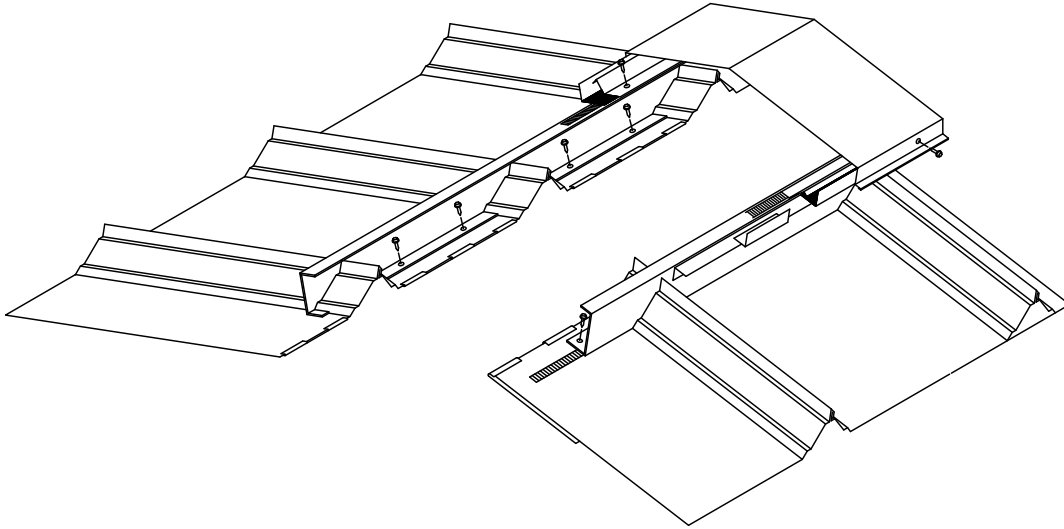
©Metal Building Manufacturers Association, Inc. All rights reserved.

Dec., 2018



METAL BUILDING SYSTEMS MANUAL

DETAIL: TRAPEZOIDAL VENTED FLOATING RIDGE



These are generic details, representative of general industry practices, but individual manufacturer's details may vary. See Foreword for license and disclaimer of warranties.

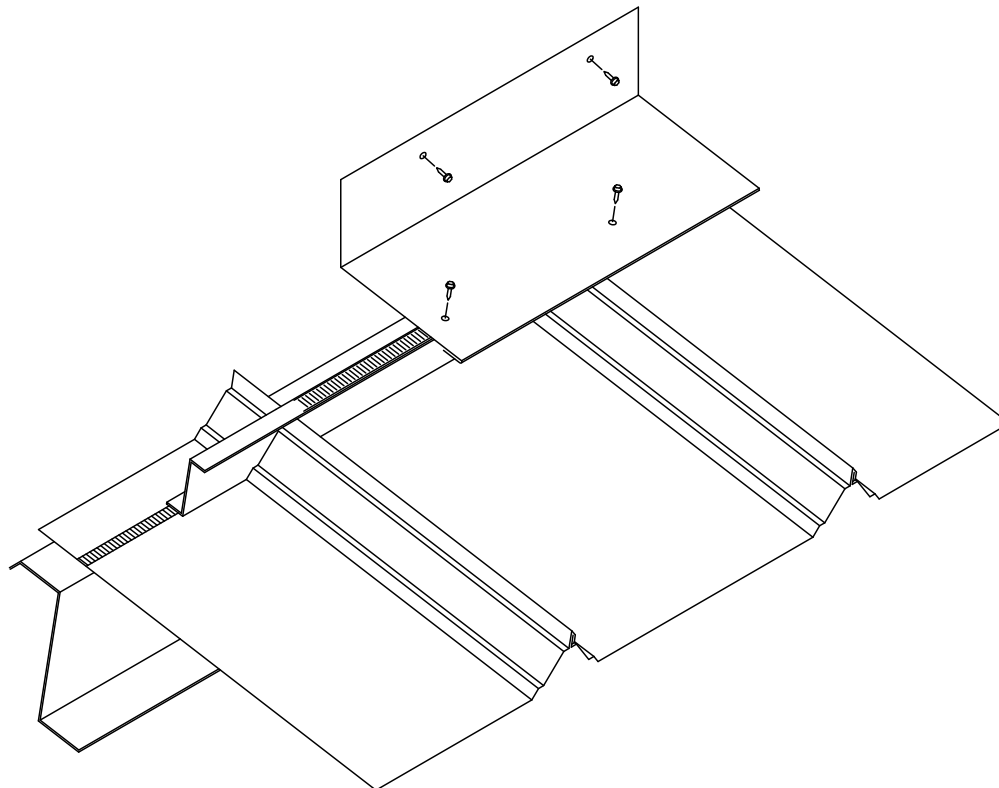
©Metal Building Manufacturers Association, Inc. All rights reserved.

Dec., 2018

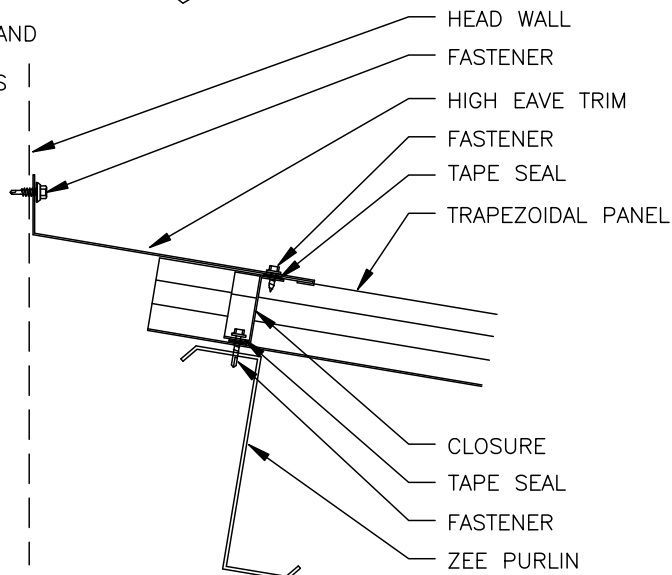


METAL BUILDING SYSTEMS MANUAL

DETAIL: TRAPEZOIDAL NON-VENTED FIXED HIGH EAVE AT HEAD WALL



NOTE: AT ALL HEADWALL AND PARAPET CONDITIONS, PROPER COUNTERFLASH IS REQUIRED



These are generic details, representative of general industry practices, but individual manufacturer's details may vary. See Foreword for license and disclaimer of warranties.

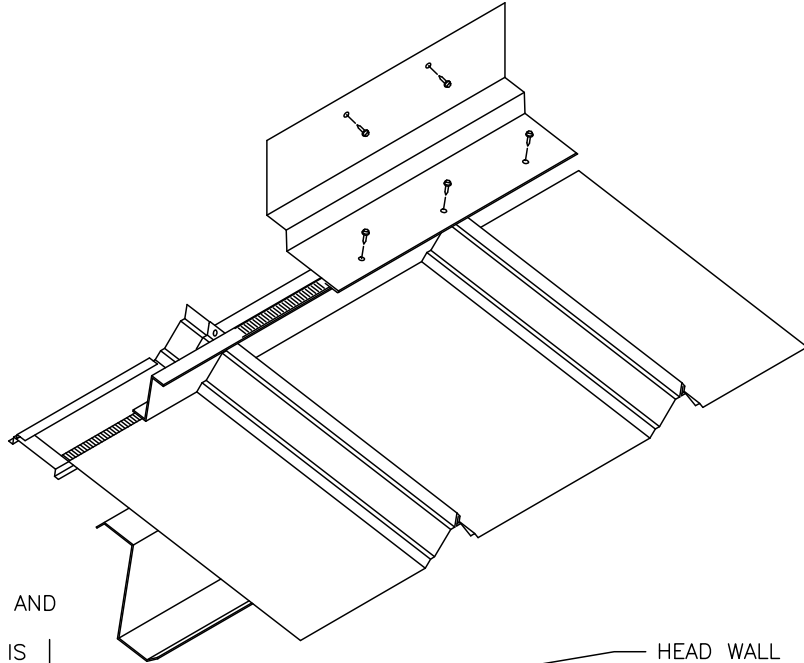
©Metal Building Manufacturers Association, Inc. All rights reserved.

Dec., 2018

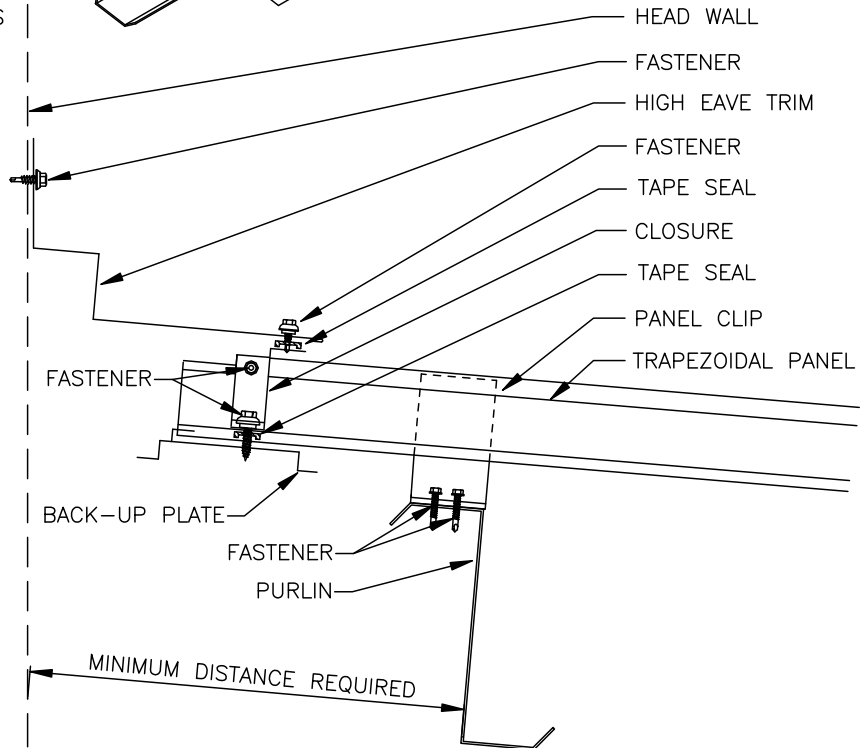


METAL BUILDING SYSTEMS MANUAL

DETAIL: TRAPEZOIDAL NON-VENTED FLOATING HIGH EAVE AT HEAD WALL



NOTE: AT ALL HEADWALL AND PARAPET CONDITIONS, PROPER COUNTERFLASH IS REQUIRED



These are generic details, representative of general industry practices, but individual manufacturer's details may vary. See Foreword for license and disclaimer of warranties.

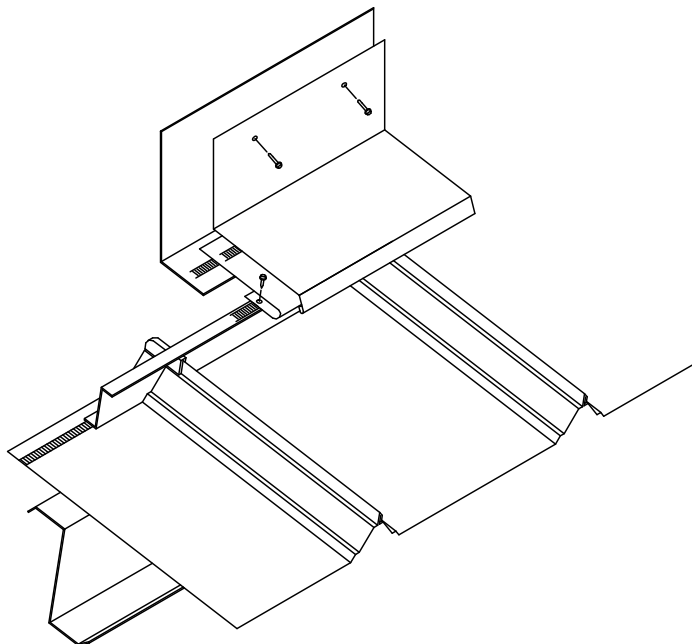
©Metal Building Manufacturers Association, Inc. All rights reserved.

Dec., 2018

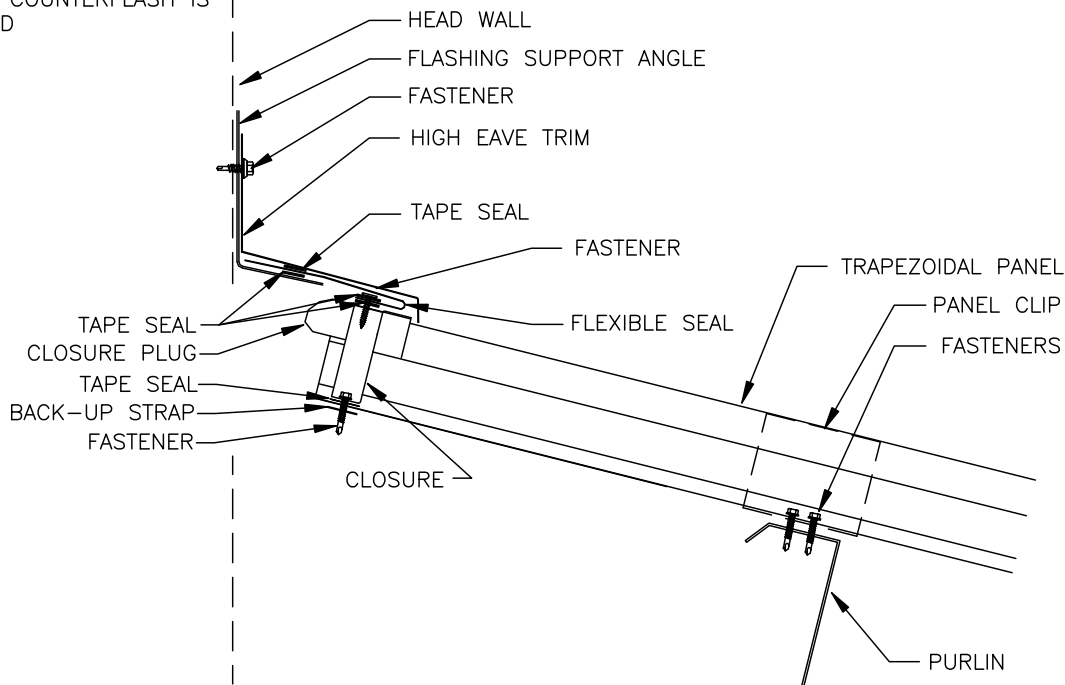


METAL BUILDING SYSTEMS MANUAL

DETAIL: TRAPEZOIDAL NON-VENTED FLOATING HIGH EAVE AT HEAD WALL



NOTE: AT ALL HEADWALL AND PARAPET CONDITIONS, PROPER COUNTERFLASH IS REQUIRED



These are generic details, representative of general industry practices, but individual manufacturer's details may vary. See Foreword for license and disclaimer of warranties.

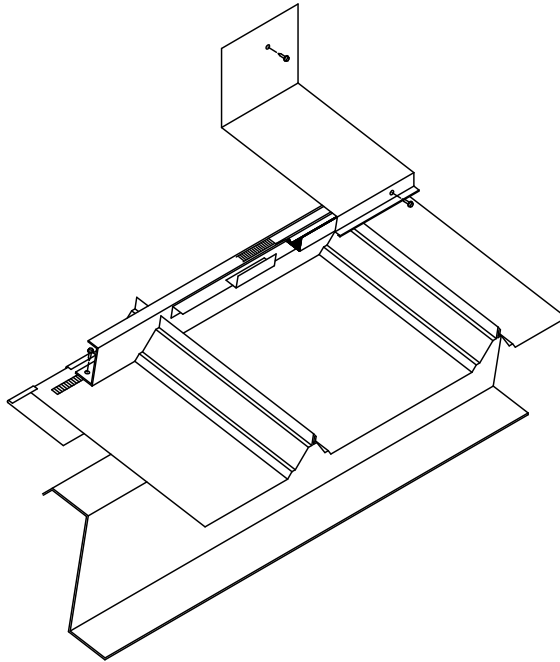
©Metal Building Manufacturers Association, Inc. All rights reserved.

Dec., 2018

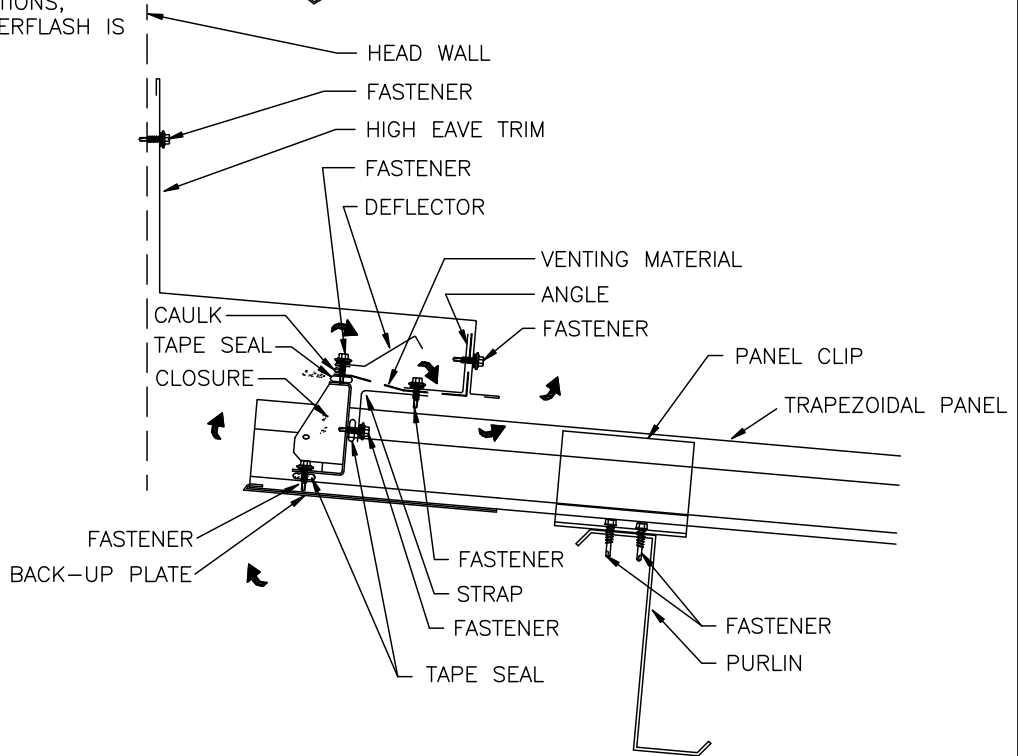


METAL BUILDING SYSTEMS MANUAL

DETAIL: TRAPEZOIDAL VENTED FLOATING
HIGH EAVE AT HEAD WALL



NOTE: AT ALL HEADWALL AND
PARAPET CONDITIONS,
PROPER COUNTERFLASH IS
REQUIRED



These are generic details, representative of general industry practices, but individual manufacturer's details may vary. See Foreword for license and disclaimer of warranties.

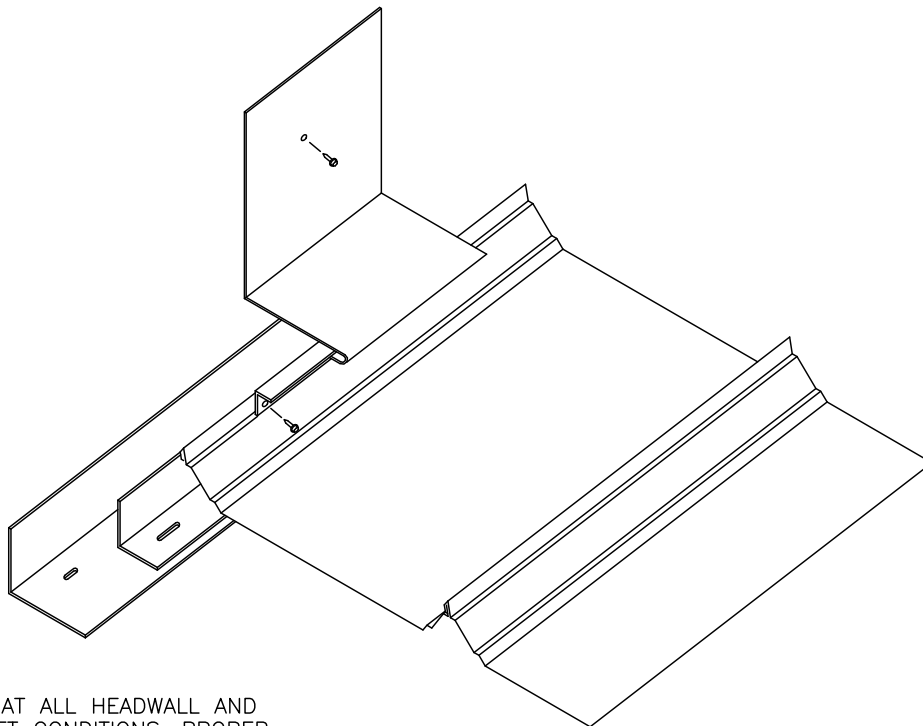
©Metal Building Manufacturers Association, Inc. All rights reserved.

Dec., 2018

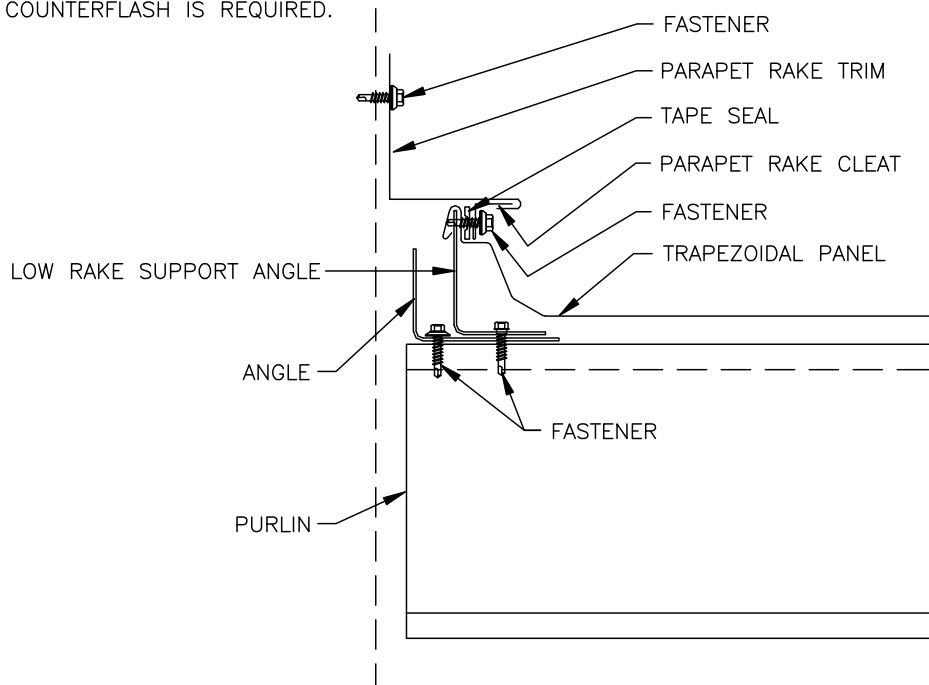


METAL BUILDING SYSTEMS MANUAL

DETAIL: TRAPEZOIDAL FLOATING RAKE
AT HEAD WALL



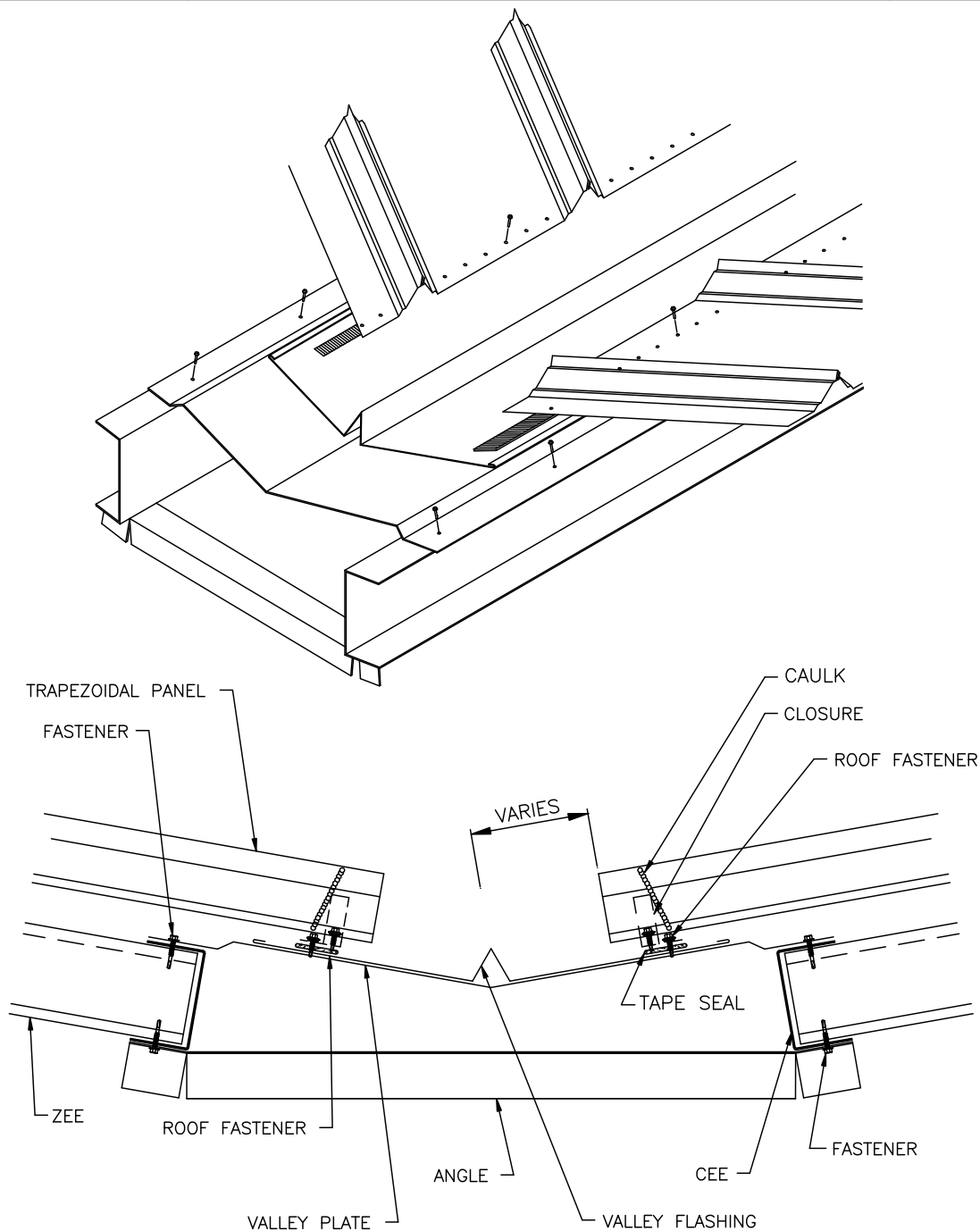
NOTE: AT ALL HEADWALL AND
PARAPET CONDITIONS, PROPER
COUNTERFLASH IS REQUIRED.



These are generic details, representative of general industry practices, but individual manufacturer's details may vary. See Foreword for license and disclaimer of warranties.

©Metal Building Manufacturers Association, Inc. All rights reserved.

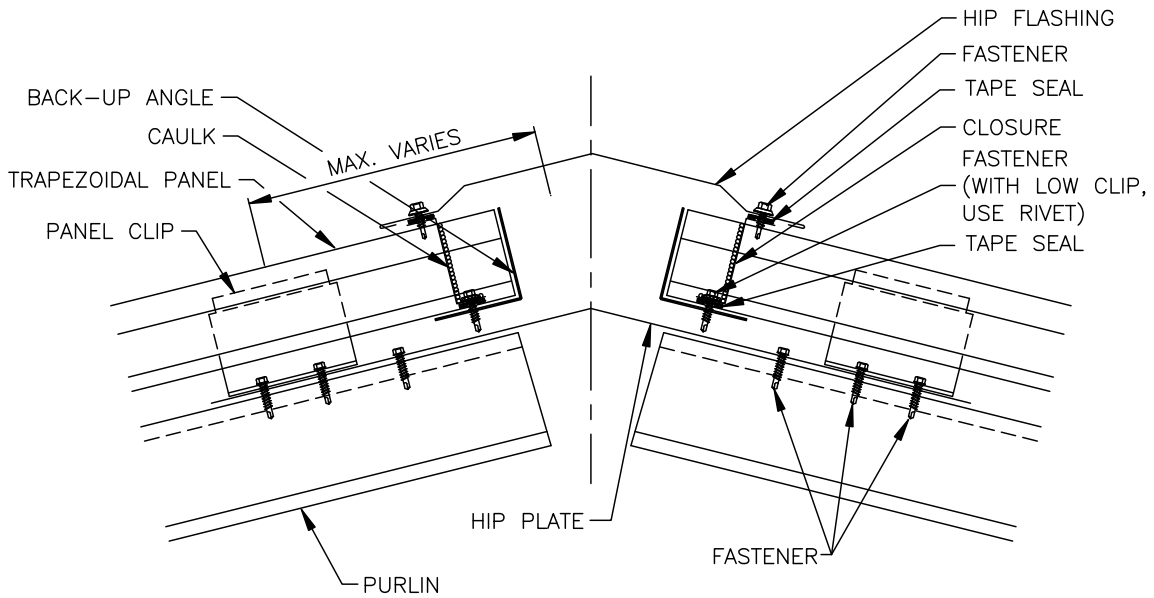
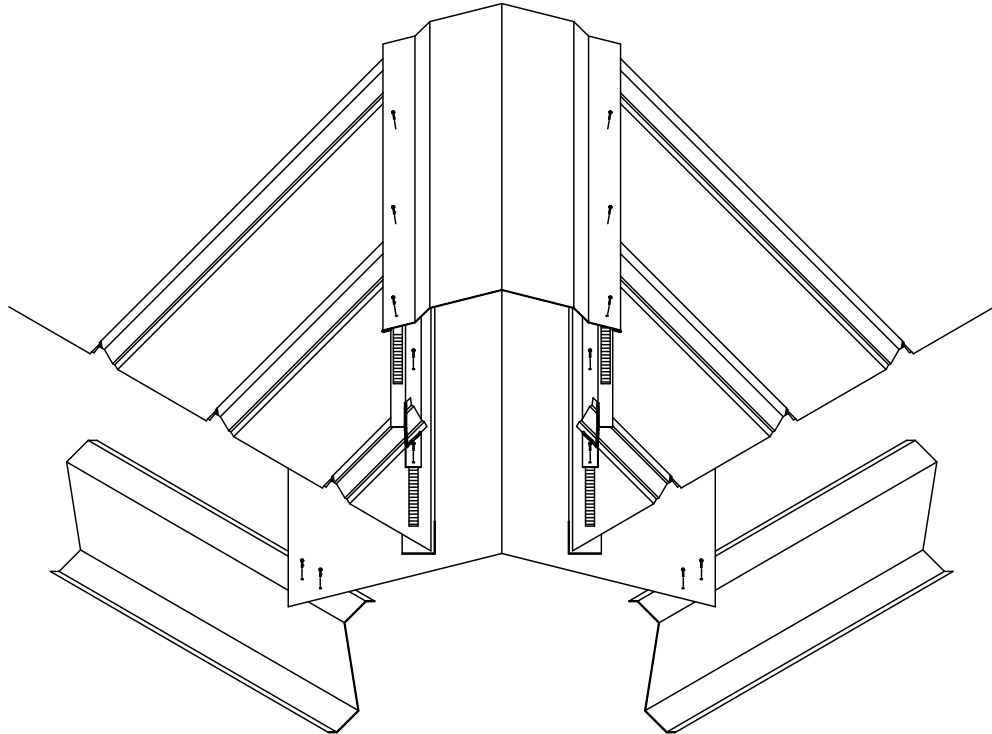
Dec., 2018



These are generic details, representative of general industry practices, but individual manufacturer's details may vary. See Foreword for license and disclaimer of warranties.

©Metal Building Manufacturers Association, Inc. All rights reserved.

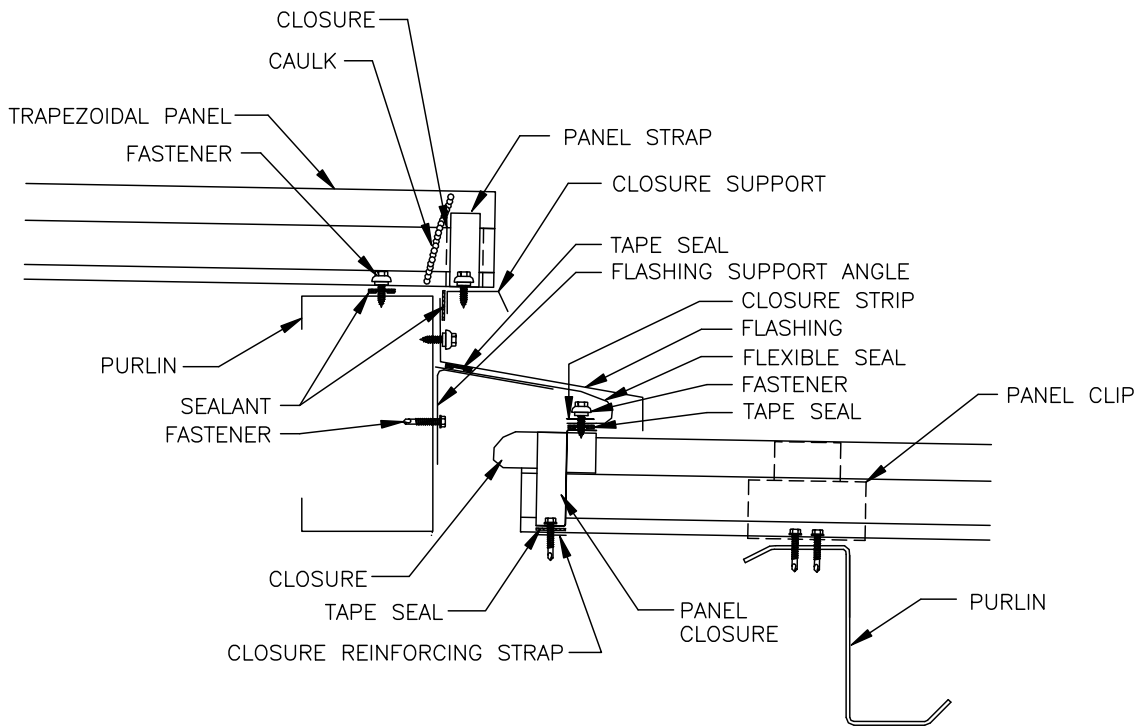
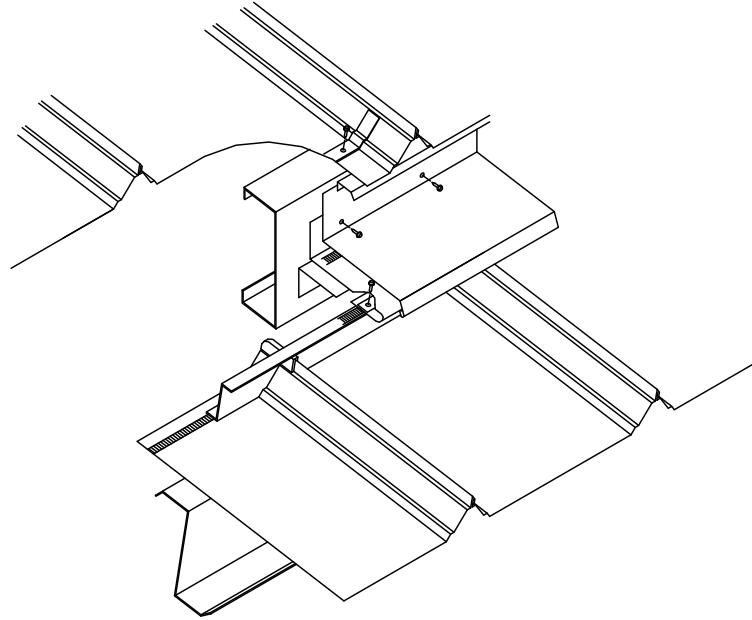
Dec., 2018



These are generic details, representative of general industry practices, but individual manufacturer's details may vary. See Foreword for license and disclaimer of warranties.

©Metal Building Manufacturers Association, Inc. All rights reserved.

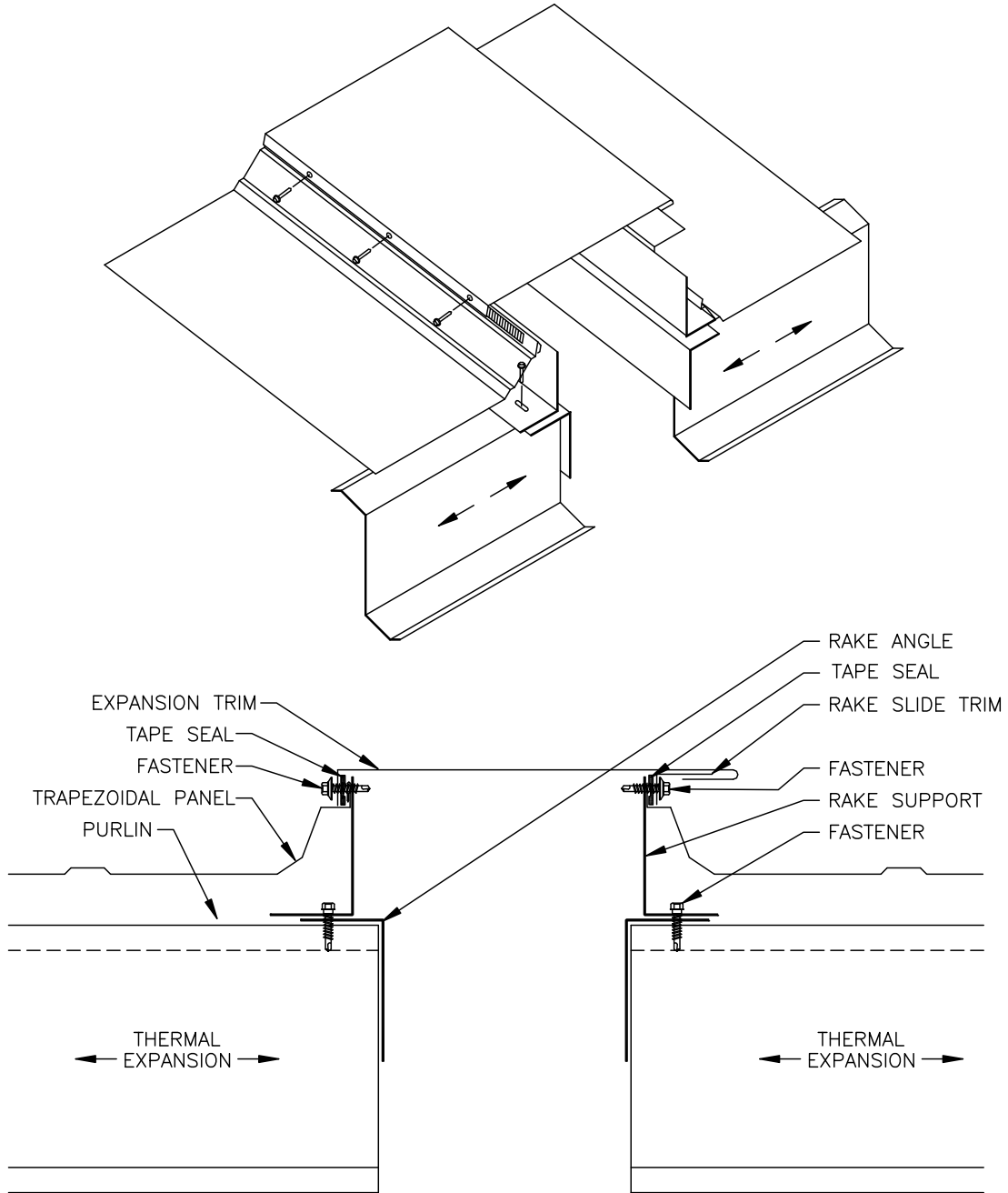
Dec., 2018



These are generic details, representative of general industry practices, but individual manufacturer's details may vary. See Foreword for license and disclaimer of warranties.

©Metal Building Manufacturers Association, Inc. All rights reserved.

Dec., 2018



These are generic details, representative of general industry practices, but individual manufacturer's details may vary. See Foreword for license and disclaimer of warranties.

©Metal Building Manufacturers Association, Inc. All rights reserved.

Dec., 2018